



 INDUSTRIAL

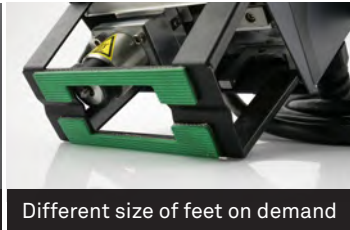
 LIMITLESS MARKING

 EASILY MOVEABLE

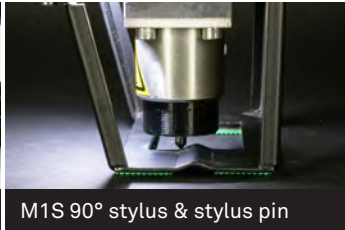
ACCESSORIES



Column on demand



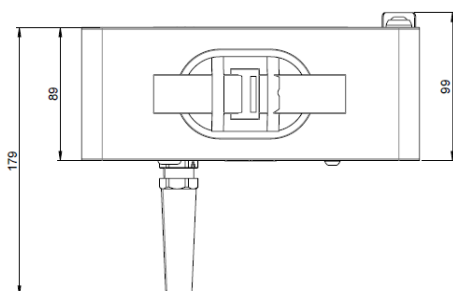
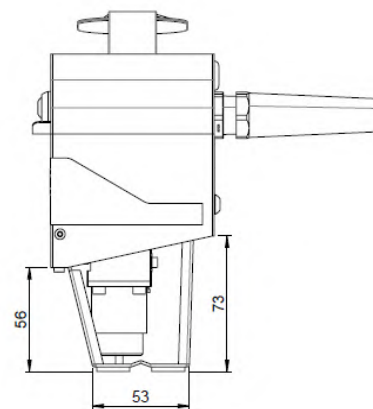
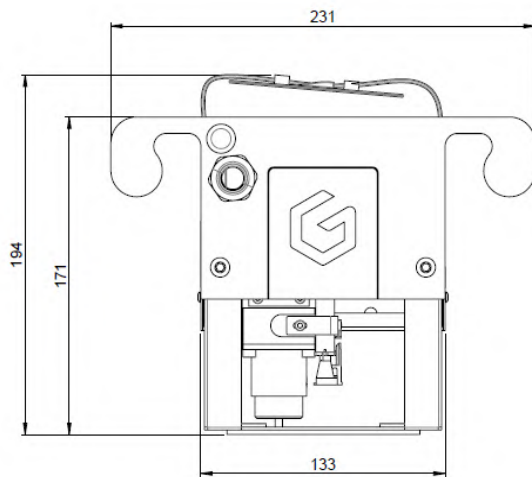
Different size of feet on demand



M1S 90° stylus & stylus pin



Extension CCU-head stand cord



TECHNICAL SPECIFICATIONS**xm500****PHYSICAL CHARACTERISTICS**

Head size	133 mm (5.236 in) x 99 mm (3.898 in) x 186 mm (7.323 in)
Weight	2.7 kg
Head -CCU cord length	3m in standard (extensions on demand)

OTHER TECHNICAL CHARACTERISTICS

Technology	Electromagnetic
Electrical Supply	110 - 230 V AC
Power	120 VA
Power supply	110 - 230 V AC - 50/60 Hz
Operating temperature	Minimum : 5 °C (41 °F) - Maximum : 45 °C (113 °F)
Storage temperature	Minimum : 0 °C (32 °F) - Maximum : 50 °C (122 °F)

MARKING CHARACTERISTICS

Marking field	50 mm (1.969 in) x 20 mm (0.787 in)
Stylus	M1S
Pin angle	90 ° for the majority of applications
Height of characters	From 0.5 mm (0.020 in) to 44.9 (1.768 in) mm
Marking possibilities	Fixed text/variable, dates, counters, batches, timesheet , shifts, Datamatrix, QRcode, MQRcode, logos, marking history, duplicates control
Font	Continuous dot or dot per dot
Marking depth	Up to 0.25 mm depending on the materials
Material harshness	<= 62 HRC

CONNECTIONS

Communication	USB, Ethernet TCP-IP, dedicated or standard Inputs-Ouputs , RS232
Controlling	Controller XCOM with firmware T08 and colour touchscreen
Keyboard	Virtual or physical
Operating mode	Independent and with PC

