

## TECHNICAL DATA BF 100



Similar to image

### AREAS OF APPLICATION:

- Soldering (single/multi-site extraction)
- Laser processing (source extraction tubes, or compact laser cabinets)
- Processes for working with adhesive/moist dusts
- Processes for working with vapours/gases

### INCLUDES:

- Casters installed for mobile operation
- Filter equipment
- Power cable

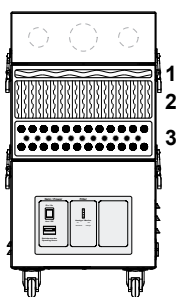
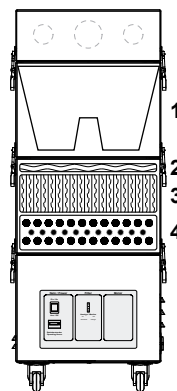
TECHNICAL SPECIFICATIONS	UNIT	BF 100	BF 100R*
Unimpeded air flow rate	m <sup>3</sup> /h / cfm	max. 280/165	
Effective air flow rate	m <sup>3</sup> /h / cfm	230/135	30-230/18-135
Max. static pressure	Pa / in.H2O	11000/44	
Voltage	V	230**/120	
Frequency	Hz	50**/60	
Power input	kW	1.1	
Protection class	-	1	
Motor and drive system	-	brushless motor	
Noise level	db(A)	~ 59	
Serial interface	D-sub	25-pin	
Weight	kg / lbs	~ 40/88	
Dimensions (HxWxD)	mm	700x350x350	
Dimensions (HxWxD)	inch	27.56x13.78x13.78	
DN 50 intake socket	number	2	
DN 80 intake socket	number	1	
Colour (cabinet / top cover)	RAL	7035/7037	

\* with speed control for individual adjustment

\*\* optional

### FILTER CONFIGURATION

	Pre-filter mat (F5)	✓
<b>M</b>	MP-TEC filter (F7)	available as additional modules
	Particle filter (H13)	✓
	Activated carbon/BAC filter	10 liter


**STANDARD**

**M**

DESCRIPTION	ART.-NO.
<b>BF 100</b> 230V 50/60Hz	on request
<b>BF 100</b> 120V 50/60Hz	90303
<b>BF 100R*</b> 230V 50/60Hz	on request
<b>BF 100R*</b> 120V 50/60Hz	90304

\* with speed control for individual adjustment

DESCRIPTION	ART.-NO.
<b>BF 100</b> 230V 50/60Hz	on request
<b>BF 100</b> 120V 50/60Hz	90303
<b>BF 100R*</b> 230V 50/60Hz	on request
<b>BF 100R*</b> 120V 50/60Hz	90304

\* with speed control for individual adjustment

**ADDITIONAL MODULES**

<b>M-Module</b>	13344
-----------------	-------

**REPLACEMENT FILTERS**

MP-TEC filter	-	
Pre-filter mat (20 pcs)	12950	1
Particle filter	10013	2
Activated carbon/BAC	10004	3

**REPLACEMENT FILTERS**

MP-TEC filter	13333	1
Pre-filter mat (20 pcs)	12950	2
Particle filter	10013	3
Activated carbon/BAC	10004	4

## TECHNICAL DATA BF 1000



Similar to image

### AREAS OF APPLICATION:

- Soldering (single/multi-site extraction)
- Laser processing (source extraction tubes, or compact laser cabinets)
- Processes for working with adhesive/moist dusts
- Processes for working with vapours/gases

### INCLUDES:

- Casters installed for mobile operation
- Filter equipment
- Power cable

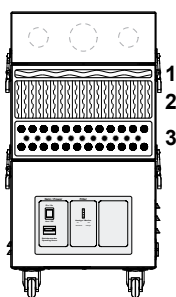
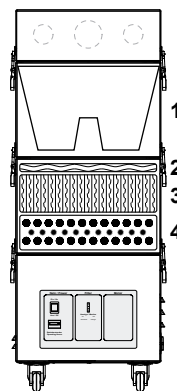
TECHNICAL SPECIFICATIONS	UNIT	BF 1000	BF 1000R*
Unimpeded air flow rate	m <sup>3</sup> /h / cfm	max. 280/165	
Effective air flow rate	m <sup>3</sup> /h / cfm	230/135	30-230/18-135
Max. static pressure	Pa / in.H2O	11000/44	
Voltage	V	230**/120	
Frequency	Hz	50**/60	
Power input	kW	1.1	
Protection class	-	1	
Motor and drive system	-	brushless motor	
Noise level	db(A)	~ 58	
Serial interface	D-sub	25-pin	
Weight	kg / lbs	~ 70/154	
Dimensions (HxWxD)	mm	750x350x655	
Dimensions (HxWxD)	inch	29.53x13.78x25.79	
DN 50 intake socket	number	2	
DN 80 intake socket	number	1	
Colour (cabinet / top cover)	RAL	7035/7037	

\* with speed control for individual adjustment

\*\* optional

### FILTER CONFIGURATION

	Pre-filter mat (F5)	✓
<b>M</b>	MP-TEC filter (F7)	available as additional modules
	Particle filter (H13)	✓
	Activated carbon/BAC filter	25 liter


**STANDARD**

**M**

DESCRIPTION	ART.-NO.
<b>BF 1000</b> 230V 50/60Hz	on request
<b>BF 1000</b> 120V 50/60Hz	90311
<b>BF 1000R*</b> 230V 50/60Hz	on request
<b>BF 1000R*</b> 120V 50/60Hz	90312

\* with speed control for individual adjustment

DESCRIPTION	ART.-NO.
<b>BF 1000</b> 230V 50/60Hz	on request
<b>BF 1000</b> 120V 50/60Hz	90311
<b>BF 1000R*</b> 230V 50/60Hz	on request
<b>BF 1000R*</b> 120V 50/60Hz	90312

\* with speed control for individual adjustment

**ADDITIONAL MODULES**

<b>M-Module</b>	13313
-----------------	-------

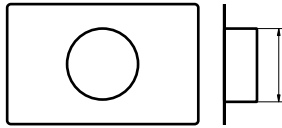
**REPLACEMENT FILTERS**

MP-TEC filter	-	
Pre-filter mat (20 pcs)	12980	1
Particle filter	10009	2
Activated carbon/BAC	10046	3

**REPLACEMENT FILTERS**

MP-TEC filter	13310	1
Pre-filter mat (20 pcs)	12980	2
Particle filter	10009	3
Activated carbon/BAC	10046	4

**ACCESSORIES**

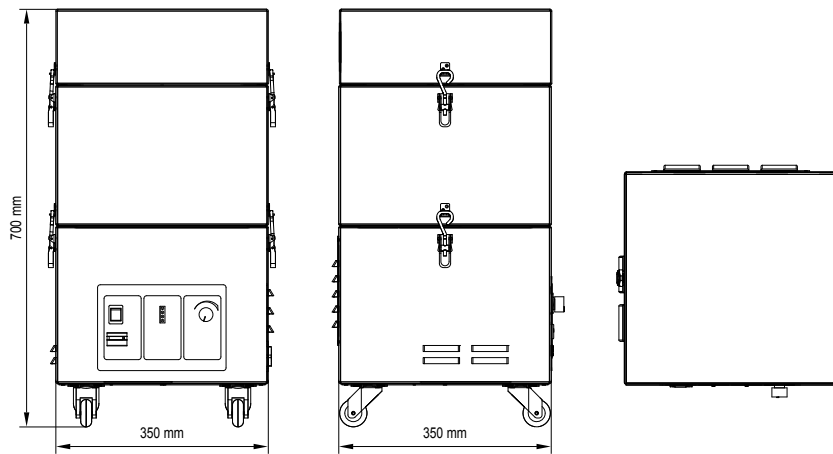


**EXHAUST PLATE**

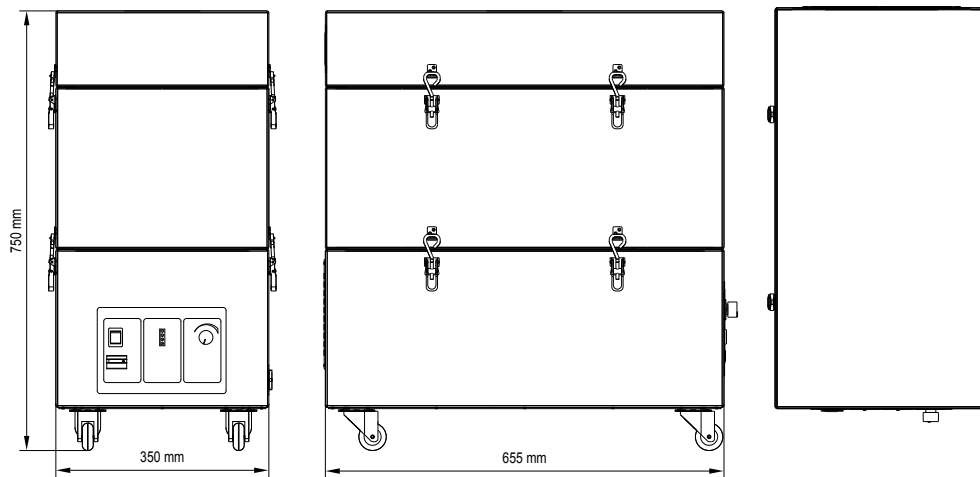
DN (mm / inch)	USE	ART.-NO.
80 / 3.15	BF 100/100R, 1000/1000R	11709
100 / 3.94	BF 100/100R, 1000/1000R	12839
125 / 4.92	BF 100/100R, 1000/1000R	12232

Connection plate with connection pieces for exhausting air through hose.

**TECHNICAL DRAWINGS**

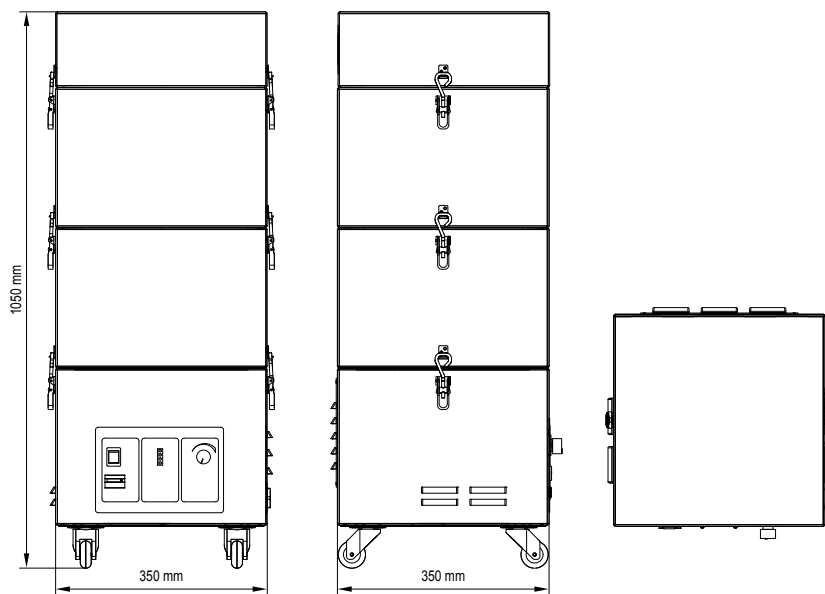


**BF 100/100R\***

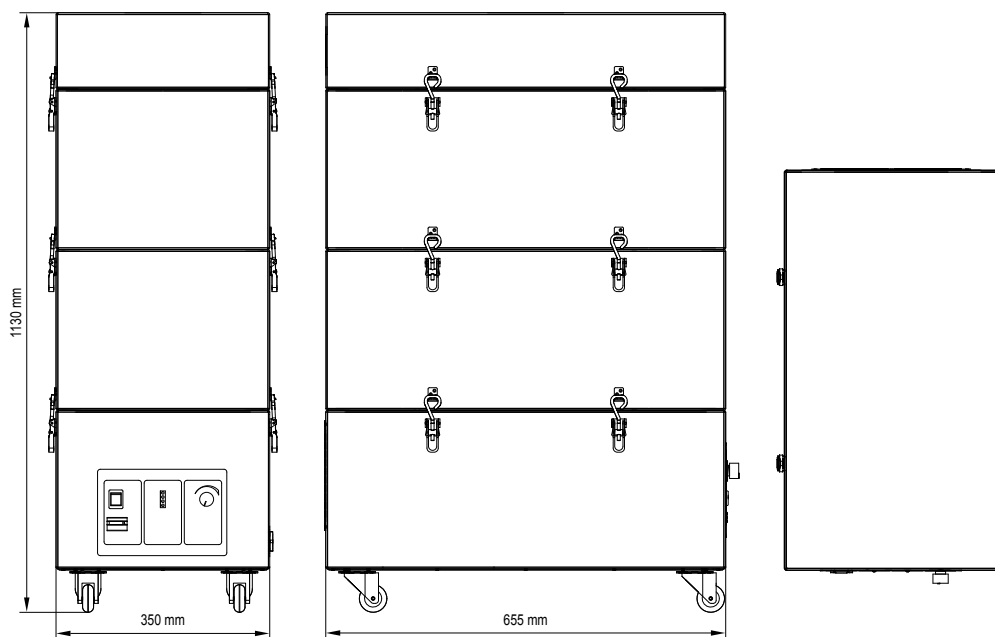


**BF 1000/1000R\***

\* with speed control for individual adjustment



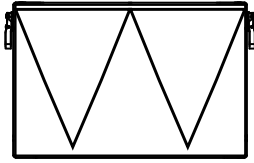
**BF 100 M / 100R\* M**



**BF 1000 M / 1000R\* M**

*\* with speed control for individual adjustment*

## ACCESSORIES



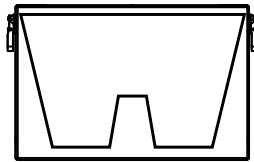
Pocket filter (F5/F6)

### FILTER HOUSING MODULE T UPGRADE KIT - POCKET FILTER

For increasing the filter area to increase the service life of the pre-filter in applications with large amounts of coarse dust.

USE	FILTER CLASS	UPGRADE KIT	REPLACEMENT FILTERS
LN 230*	Pocket filter (F5/F6)	12938	12738
LN 260/265**	Pocket filter (F5/F6)	12739	12740

\* adds 240 mm to height \*\* adds 265 mm to height



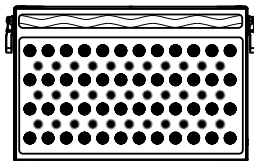
MP-Tec filter (F7/H13)

### FILTER HOUSING MODULE M UPGRADE KIT - MP-TEC FILTER

For increasing the filter area for a longer service life. With filter class F7 to expand the pre-filter area.

USE	FILTER CLASS	UPGRADE KIT	REPLACEMENT FILTERS
LN 230*	MP-Tec filter (F7)	13344	13333
LN 260/265**	MP-Tec filter (F7)	13313	13310

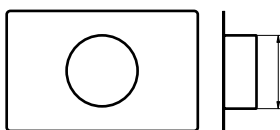
\* adds 240 mm to height \*\* adds 265 mm to height

Pre-filter mat (F5)  
Activated carbon/BAC filter

### FILTER HOUSING MODULE A UPGRADE KIT - ACTIVATED CARBON/BAC FILTER

USE	FILTER CLASS	UPGRADE KIT	REPLACEMENT FILTERS
LN 230*	18 liter	12114	10007
LN 260/265**	45 liter	12112	12052

\* adds 235 mm to height \*\* adds 265 mm to height



### EXHAUST PLATE

DN (mm / inch)	USE	ART.-NO.
80 / 3.15	LN 230/260/265	11709
100 / 3.94	LN 230/260/265	12839
125 / 4.92	LN 230/260/265	12232

Connection plate with connection pieces for exhausting air through hose.

## ACCESSORIES

### AIR INLET - FLEXIBLE CONNECTION HOSES



NAME	DN (mm / inch)	LENGTH (m / ft)	ART.-NO.
Hose set with connection coupling	50 / 1.97	2.5 / 8.20	10008
		5.0 / 16.40	10010
		10.0 / 32.80	10033
	70 / 2.76	2.5 / 8.20	14313
Hose set with nipple and hose clip	80 / 3.15	2.5 / 8.20	13179*
		2.5 / 8.20	13729**
		5.0 / 16.40	13180*
		5.0 / 16.40	14600**
		10.0 / 32.80	13197
	100 / 3.94	2.5 / 8.20	13181
		5.0 / 16.40	13182
		10.0 / 32.80	13198
	125 / 4.92	2.5 / 8.20	13183
		5.0 / 16.40	13184
		10.0 / 32.80	13199
	160 / 6.30	2.5 / 8.20	13185
5.0 / 16.40		13186	
10.0 / 32.80		13200	

\* for the LN 230

\*\* for the LN 260, 265 (with a reduction from DN 100 to DN 80)