

ROTARY
ENGRAVING
SOLUTION

engraving solution
IS400 volume

Innovative solutions for engraving and marking

www.gravograph.us

IS400 volume

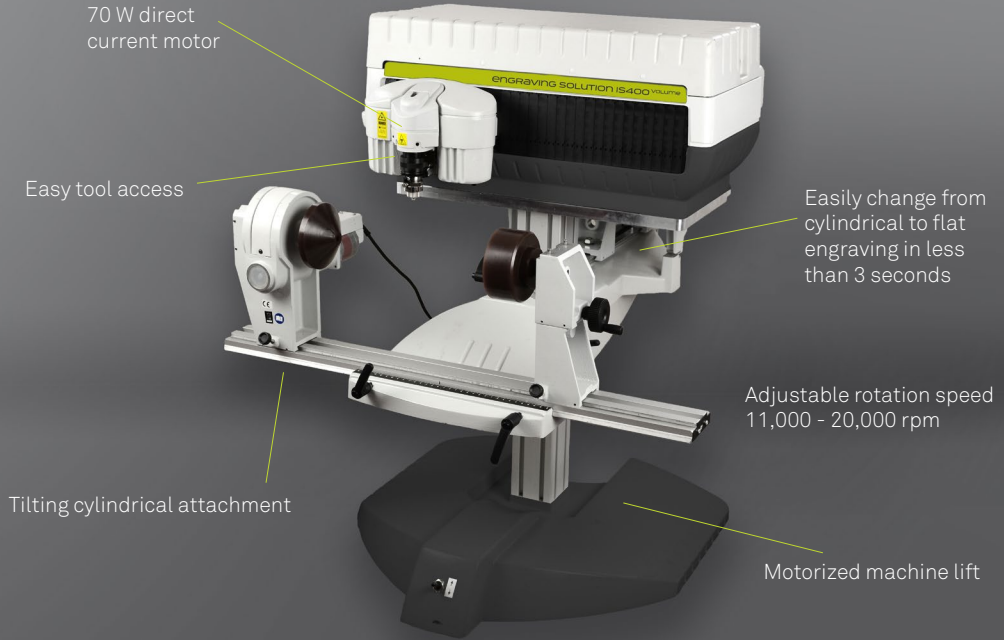
PRODUCTIVITY - POWER - CAPABILITY

INNOVATIVE

Gravograph rotary machines from Gravotech are available with a host of unique and innovative features.

The IS400 Volume features **iQ+** or "intelligence quotient". The iQ+ at Gravotech was specifically designed for Gravograph engraving machines.

Offering **streamlined electronics**, **new-generation firmware** and between the engraver and the computer.



VERSATILE

Perfect for **delicate personalization or industrial marking**. This version of the IS400 is specifically designed to meet the **rigorous requirements** of industrial marking. In addition, the IS400 Volume can **delicately engrave** on materials such as glass and crystal creating the **perfect all around solution**. Flexible, it's base allows engraving items of all of shapes (cubic, cylindrical, conical) and **switching from engraving on flat materials straight to cylinder objects in less than 3 seconds**.

EXCEPTIONAL SOFTWARE

Powered by **GravoStyle™** software. This unique software platform **concentrates Gravotech's engraving expertise** to offer you full support, whatever your engraving application. The software synchronizes your IS400 Volume and its accessories, creating a **powerful production team**. GravoStyle™ provides fully integrated software to **reduce engraving errors** by saving job settings and previewing work on the screen before you engrave. This decreases the amount of time to work the machine and **reduces repetitive tasks**.

TECHNICAL SPECIFICATIONS

CHARACTERISTICS

- Machine Dimensions: 35.4 x 24.2 x 33 inches (900 x 615 x 840 mm)
 - Engraving area: 12 x 8.2 x 4.5 inches (304.8 x 208.28 x 114.3 mm)
 - Product weight: 198 lbs (90 kg)
 - Shipping weight: 254 lbs (115kg)
- Maximum holding capacity:
- Vice: unlimited x 9 x 14.5 inches (unlimited x 228.6 x 369.8 mm)
 - Table: 13 x 10.2 x 1.4 inches (330.2 x 259.08 x 35.56 mm)

Cylindrical:

- Maximum diameter: 13.78 inches (350 mm)
- Length: 19.69 inches (500 mm)
- Maximum Object Weight: 44 lbs (20kg)

STANDARD FEATURES

- Cylindrical device
 - Motorized central clamping system
 - GravoStyle™ software
- Spindle:
- Standard 11/64 inch spindle
 - Rotation speed 20,000 rpm variable
 - Maximum spindle travel: 1.6 inches (40mm)
 - 75 W collet spindle motor

ADDITIONAL ACCESSORIES

- Vacuum table
 - Collet spindle
 - Large cone kit
 - Pen attachment
 - T-slot table
 - Machine stand
 - Cutters
 - Chip Collector
 - Raster® Braille Kit
- Optional Spindle:
- 1/8 inch
 - 1/4 inch

PERFORMANCE

The IS400 Volume **combines Gravotech's engraving and manufacturing quality with ground-breaking productivity.** Adjustable rotation speed from **11,000 to 20,000 rpm** for machining of a variety of materials. **Very quiet and powerful** spindle motor with direct current.

ERGONOMICS AND DESIGN

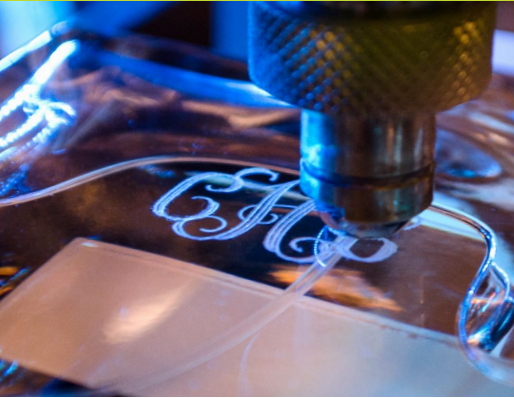
The IS400 Volume design features complete **access for easy loading and unloading** of the objects being engraved. **A motorized lifting system makes switching from engraving on flat materials to cylindrical objects simple.** Create compliant ADA signage using the IS400 Volume and the Raster® Braille Kit. Adding a **chip collector** to your machine will allow for easy cleaning and provide a cleaner cut. Many other accessories can be added to enhance the functionality and ease of use with the IS400 Volume.



APPLICATIONS

Since 1938, Gravotech brands have been global leaders in the design, manufacturing, sales and support of innovative solutions for engraving, marking and artistic modeling.

www.gravograph.us



IDEAL FOR:

- Picture frames
- Corporate awards
- Jewelry boxes
- Plaques
- Platters
- Wine buckets
- Signage
- Industrial part marking
- Bottles
- ADA Signage

The Gravotech Group represents a worldwide network present in 30 countries with more than 900 employees working around the clock to provide customers with exceptional permanent marking solutions. As a global leader in durable marking technologies such as engraving, laser, micro-percussion and scribing, we utilize our expertise to develop and market equipment, software and consumables for every application, from personalization to architectural signage and industrial part marking.

Gravograph, is a registered trademark of Gravotech, Inc.

2200 Northmont Parkway | Duluth, GA 30096

Toll Free: (1) 800.843.7637 | Tel. : (1) 770.623.0331 | Fax : (1) 770.495.3676

sales@us.gravotech.com

IS400-Volume_Leaflet_1215 - Gravotech, Inc. reserves all rights on improvement and modification of its products.

This document is not contractual. © Gravotech, Inc. - 2200 Northmont Parkway, Duluth, Georgia 30096 | USA

GRAVOGRAPH 

GRAVOTECH GROUP